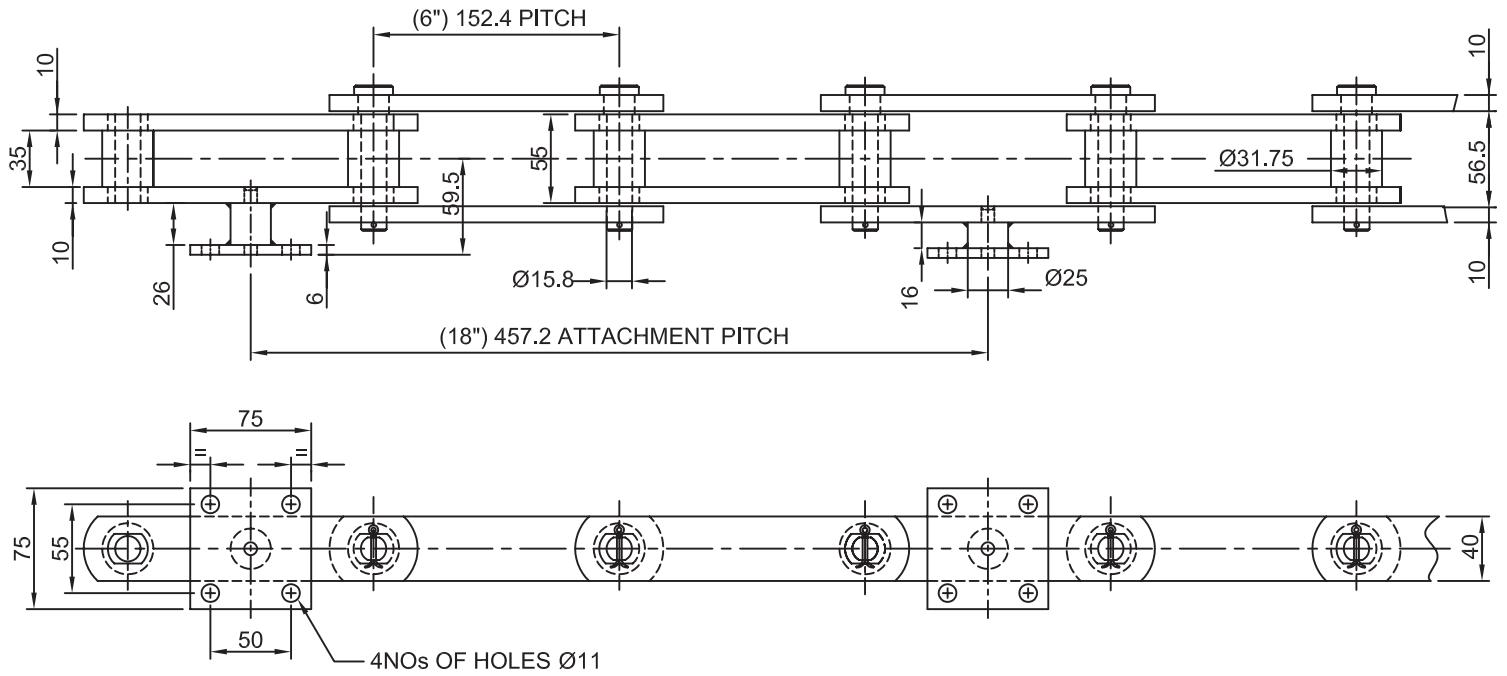
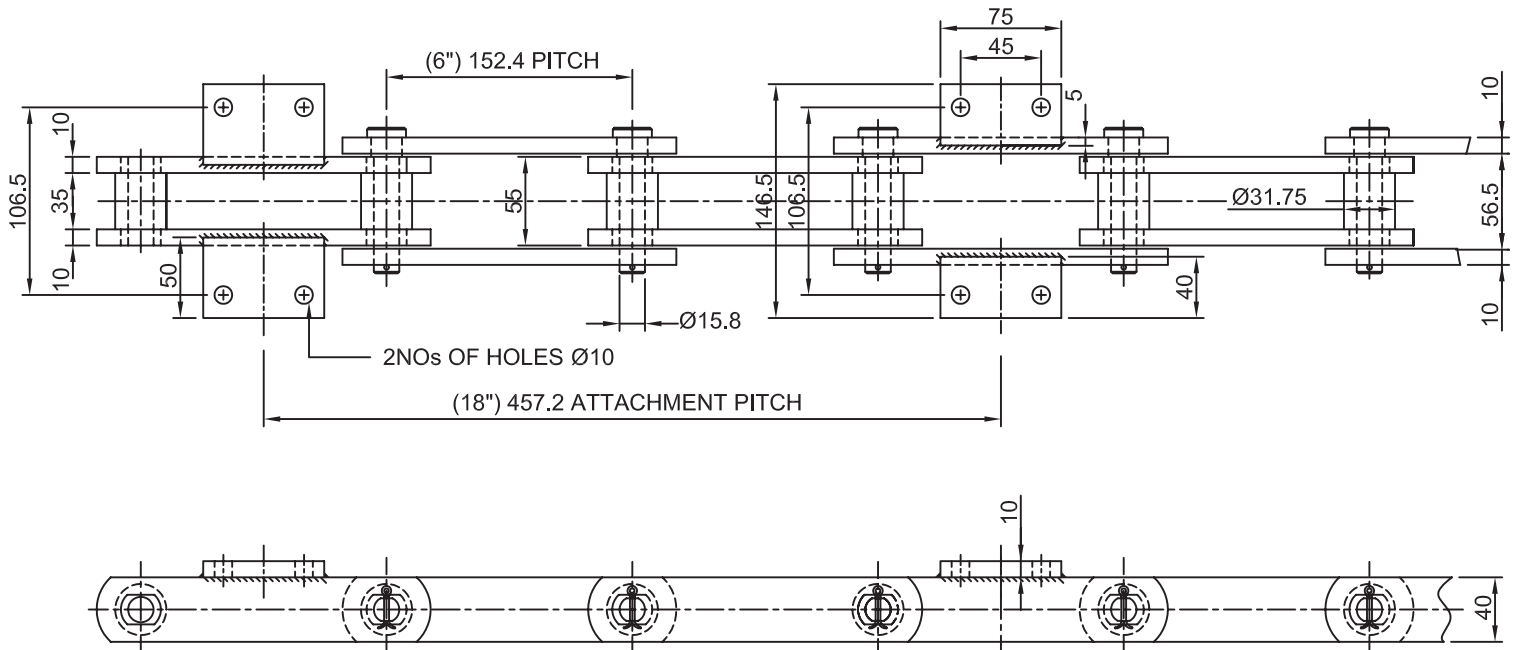


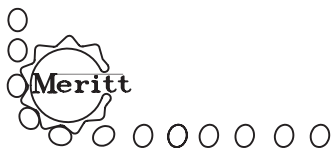
6" PITCH BUCKET ELEVATOR CHAINS



6" PITCH CHAIN WITH G-20 ATTACHMENT AT EVERY 18"



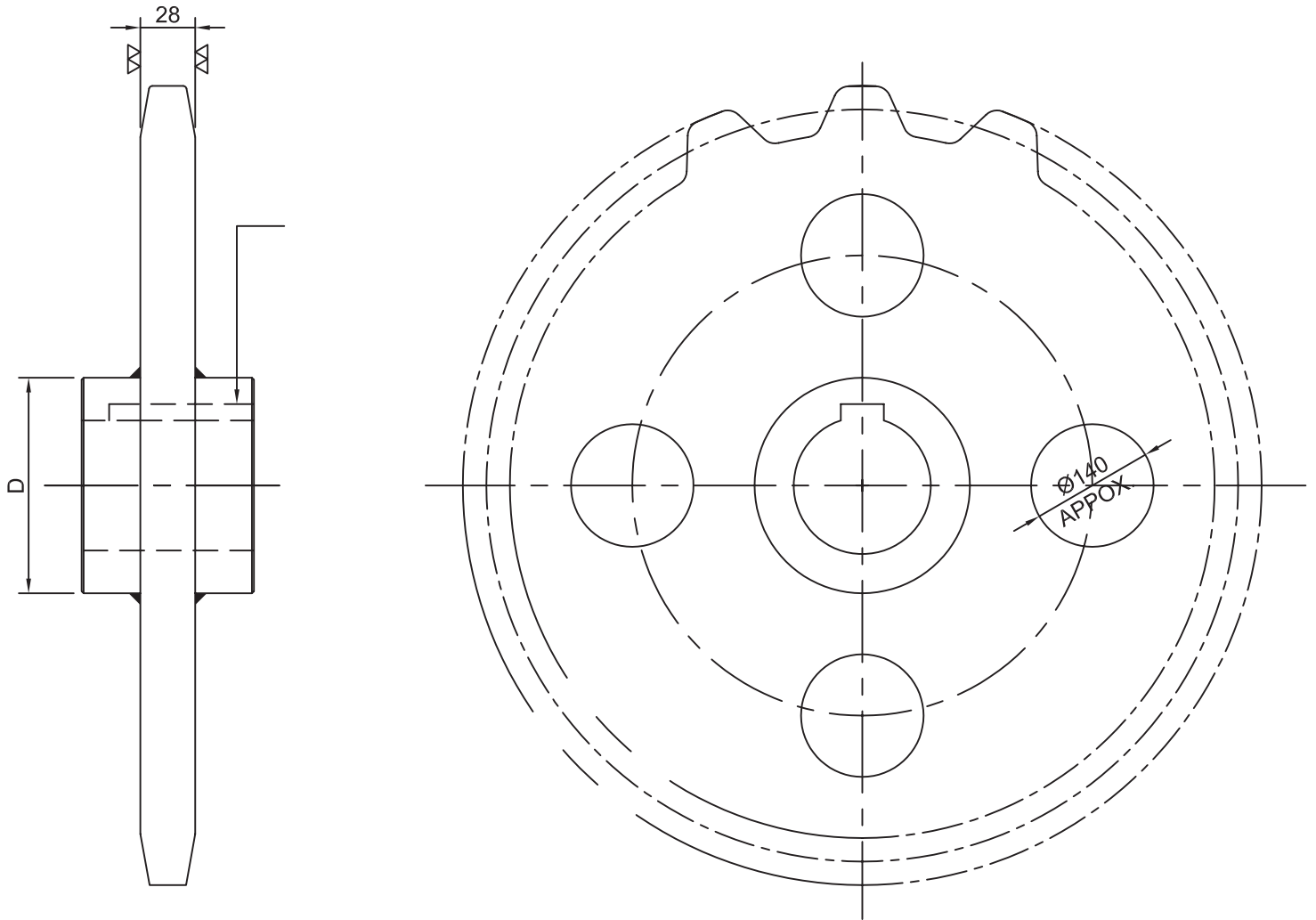
6" PITCH CHAIN WITH K-2 ATTACHMENT AT EVERY 18"



Meritt
T.R.A.N.S.M.I.S.S.I.O.N.S.

Manufacturer of Mechanical Power Transmission Equipments and Conveyor Chains
157/159, Narayan Dhuru Street,
Behind Nagdevi Street, Mumbai - 400 003, INDIA
Telephone - 2344 4956 / 2344 2857 / 2342 8342
Fax - 91-22-2341 4107 / 2341 0238
E-mail : meritttransmissions@vsnl.net
Web Site - www.meritttransmissions.com

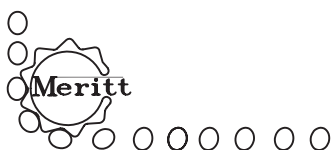
ELEVATOR SPROCKET



M.S. SPROCKET
30TEETH x 3" PITCH SPROCKET SUITABLE
FOR 6" PITCH CHAIN, ROLLER DIA 1.25"

3" PITCH CONVEYOR SPROCKET SUITABLE FOR 6" PITCH ELEVATOR CHAIN

NO. OF TEETH	PITCH	ADD. CIRCLE	THICKNESS	BORE DIA.
16 TEETH	3"	408	28	110/140
30 TEETH	3"	747	28	150
18 TEETH	3"	457	28	140
26 TEETH	3"	650	28	140



Meritt
T.R.A.N.S.M.I.S.S.I.O.N.S.

Manufacturer of Mechanical Power Transmission Equipments and Conveyor Chains
 157/159, Narayan Dhuru Street,
 Behind Nagdevi Street, Mumbai - 400 003, INDIA
 Telephone - 2344 4956 / 2344 2857 / 2342 8342
 Fax - 91-22-2341 4107 / 2341 0238
 E-mail : meritttransmissions@vsnl.net
 Web Site - www.meritttransmissions.com